

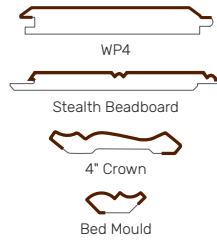


Canvas Series

BEAUTY OF WOOD.
DURABILITY OF PVC.

VERSAWRAP™

| Profile | Actual Size | 16' | 18' |
|--------------|----------------|-----|-----|
| WP4 | 3/4" x 5 1/2" | • | • |
| Stealth Bead | 1/2" x 6" | • | • |
| 4" Crown | 9/16" x 3 5/8" | • | • |
| Bed Mould | 9/16" x 1 3/4" | • | • |



- All profiles available in all finishes
- Color-matched touch-up kit available for purchase
- Visit versatex.com/canvas for handling & installation guides



| Nominal | Actual Inside | Actual Outside |
|---------------|------------------------|-------------------------|
| 4 x 4 x 8'6" | 3 3/4" x 3 3/4" x 8'6" | 4 3/4" x 4 3/4" x 8'6" |
| 4 x 4 x 10' | 3 3/4" x 3 3/4" x 10' | 4 3/4" x 4 3/4" x 10' |
| 6 x 6 x 8'6" | 5 3/4" x 5 3/4" x 8'6" | 6 3/4" x 6 3/4" x 8'6" |
| 6 x 6 x 10' | 5 3/4" x 5 3/4" x 10' | 6 3/4" x 6 3/4" x 10' |
| 8 x 8 x 8'6" | 8 1/2" x 8 1/2" x 8'6" | 9 1/2" x 9 1/2" x 8'6" |
| 8 x 8 x 10' | 8 1/2" x 8 1/2" x 10' | 9 1/2" x 9 1/2" x 10' |
| 12 x 12 x 12' | 9 3/4" x 9 3/4" x 12' | 11 1/4" x 11 1/4" x 12' |

- Special 10" Classic wraps available (minimum quantities apply)
- All 4", 6" and 8" VERSAWRAPs are made from actual 1/2" thick VERSATEX; 12" wraps are made from actual 3/4" thick VERSATEX
- Raised Panel wraps available in all 6" x 6" and 8" x 8" profiles
- Raised Panels start 16 1/2" from bottom with a railing gap from 30 3/4" to 30 1/2"; Clearance above top panel measures 8 3/4"
- Painting of Raised Panel wraps is recommended for best aesthetic results and to prevent dirt accumulation where panels are milled into product

Tapered VERSAWRAP

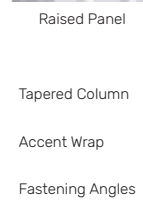
| Actual | 5' | 6' |
|--------------------|----|----|
| 12" base - 8" cap | • | • |
| 16" base - 12" cap | • | • |

- Fastening angles and 3 1/2" decorative accent wrap pieces are included for the cap and base of each Tapered column

Accent Wrap

| Nominal | Actual Inside Dimension |
|-------------|-------------------------|
| 4 x 4 x 10 | 4 3/4" x 4 3/4" x 10" |
| 6 x 6 x 10 | 6 3/4" x 6 3/4" x 10" |
| 8 x 8 x 10 | 9 1/2" x 9 1/2" x 10" |
| 4 x 4 x 10' | 4 3/4" x 4 3/4" x 10' |

- Nominal 10 x 10 x 10' Accent Wraps are available in "UNIT" quantities
- Add 1" to inside dimensions to calculate outside measurements



WHY VERSATEX?

Innovative, practical solutions for a sustainable future.

VERSATEX Building Products are manufactured from cellular PVC, which is impervious to insects and moisture and capable of below-grade installation. Our product formula ensures VERSATEX maintains its bright white color and is dense enough to use the same cutting tools & fasteners one would with a traditional product. These factors and more create an ideal solution for moisture-sensitive areas, including those along coastal zones or regions affected by salt and high humidity.

Warping, fading, cupping, or splitting is now a thing of the past – just a building product with high aesthetic value backed by an industry-best, lifetime, fully transferable, non-prorated warranty.

A big "thank you" to the builders whose craftsmanship is featured in this brochure.



A product of VERSATEX Building Products,
400 Steel Street | Aliquippa, PA 15001
724.857.1111 | versatex.com

Product images are for illustration purposes and can be changed at any time without notice.



SOFFIT SYSTEM

| Actual | 18' Vented | 18' Solid |
|------------|------------|-----------|
| 1/2" x 12" | • | • |
| 1/2" x 16" | • | • |
| 1/2" x 24" | • | • |

- Custom lengths available in "Smartpack" quantities
- Available in smooth finish only

| Product | Nominal | Actual | 18' Smooth | 18' Timber Ridge |
|----------------|---------|---------------|------------|------------------|
| Notched Fascia | 1 x 8 | 3/4" x 7 1/4" | • | • |
| Frieze Board | 5/4 x 6 | 1" x 5 1/2" | • | • |

- Custom lengths and widths available in "Smartpack" quantities



MOULDINGS

TRIMBOARD

| Nominal Width | 2 | 3 | 4 | 5 | 6 | 8 | 10 | 12 | 16 | |
|---------------------|---------------------|--------|--------|--------|--------|--------|--------|--------|---------|---------|
| Thickness | Actual Width | 1 1/2" | 2 1/2" | 3 1/2" | 4 1/2" | 5 1/2" | 7 1/4" | 9 1/4" | 11 1/4" | 15 1/4" |
| 5/8 (5/8" actual) | | • | • | • | • | • | • | • | • | • |
| 1 (3/4" actual) | • | • | • | • | • | • | • | • | • | • |
| 5/4 (1" actual) | | • | • | • | • | • | • | • | • | • |
| 6/4 (1 1/4" actual) | | • | • | • | • | • | • | • | • | • |
| 8/4 (1 1/2" actual) | | • | • | • | • | • | • | • | • | • |

- 5/8, 1 and 5/4 available in standard 12', 18' and 20' lengths;
- 6/4 and 8/4 available in standard 18' lengths
- 5/8, 1 and 5/4 boards come with protective film applied
- Custom lengths and widths available in "Smartpack" quantities
- 1 1/2" thick Trimboards may be subject to extended lead times
- Most thicknesses can be ordered reversible - Smooth/Timber Ridge or Smooth/Smooth

SHEET

| Thickness | Width & Length | 4x8' | 4x10' | 4x12' | 4x18' | 4x20' |
|-----------|----------------|------|-------|-------|-------|-------|
| 1/4" | | • | • | | | |
| 3/8" | | • | • | • | • | |
| 1/2" | | • | • | • | • | • |
| 5/8" | | • | • | • | • | • |
| 3/4" | | • | • | • | • | • |
| 1" | | • | • | • | • | • |
| 1 1/4" | | • | • | • | • | • |
| 1 1/2" | | • | • | • | • | • |

- Custom lengths and widths available in "Smartpack" quantities
- 5' wide Sheets available in certain sizes and special quantities

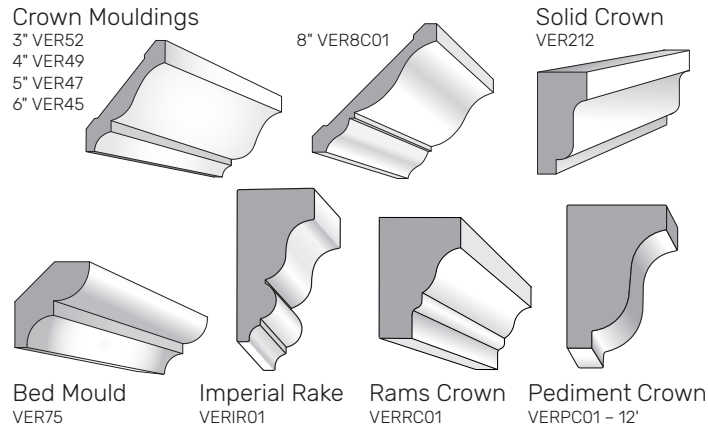


T&G PROFILES

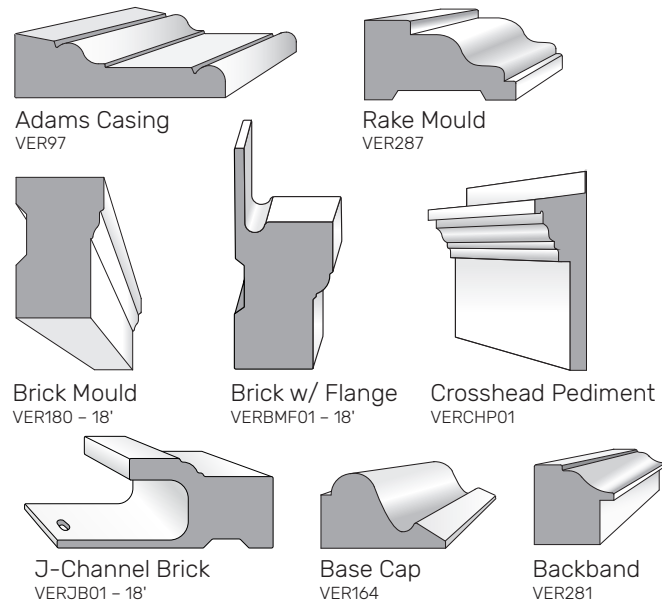
| Nominal Thickness x Width | Actual | Length | 8' | 10' | 18' |
|---------------------------|---------------|--------|----|-----|-----|
| 1/2 x 4 Beadboard | 1/2" x 3 1/2" | | • | | |
| 1/2 x 6 Beadboard | 1/2" x 5 1/2" | | • | | |
| 1 x 6 Beadboard | 3/4" x 5 1/2" | | • | | |
| 1/2 x 4 Stealth Bead | 1/2" x 4" | | • | | |
| 1/2 x 6 Stealth Bead | 1/2" x 6" | | • | | |
| 1/2 x 48 Beaded Sheet | 1/2" x 48" | | • | • | |
| 1 x 6 WP4/Nickel Gap | 3/4" x 5 1/2" | | • | | |
| 1 x 8 WP4/Nickel Gap | 3/4" x 7 1/4" | | • | | |

- Special 3/4" x 3 1/2" x 18' standard Beadboard available in "UNIT" quantities
- End-matched WP4 available in 16' lengths

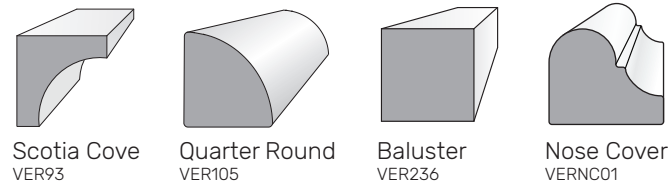
Crown Profiles



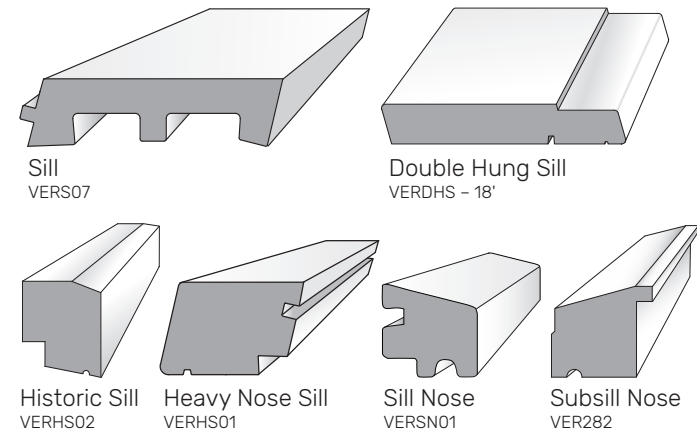
Casing Profiles



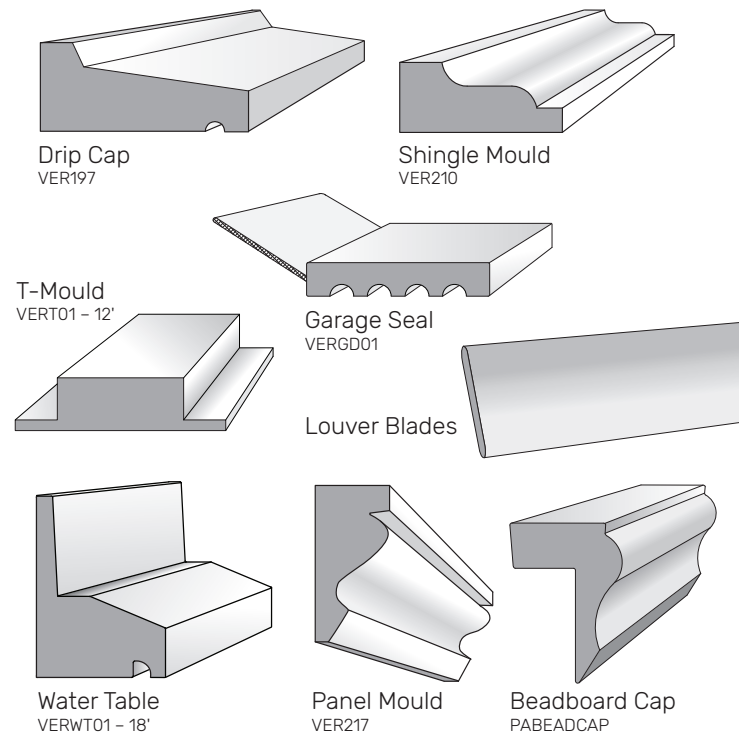
Cove Profiles



Sill Profiles



Additional Profiles



STEALTH TRIM

| Product | Nominal | Actual | 18' Smooth | 18' Timber Ridge |
|--|---------|-----------------|------------|------------------|
| Stealth Skirtboard | 1 x 8 | 3/4" x 7 1/4" | • | • |
| Stealth Skirtboard | 1 x 10 | 3/4" x 9 1/4" | • | • |
| Standard Stealth, Stealth w/ Flange, & Trim w/ Flange | 5/4 x 4 | 1" x 3 1/2" | • | • |
| Standard Stealth, Stealth w/ Flange, Trim w/ Flange & Stealth Skirtboard | 5/4 x 6 | 1" x 5 1/2" | • | • |
| Standard Stealth & Stealth Skirtboard | 5/4 x 8 | 1" x 7 1/4" | • | • |
| Stealth Casing w/ J-Channel | | 1 1/8" x 3 1/2" | • | |
| Stealth Casing w/ J-Channel | | 1 1/8" x 5 1/2" | • | |

- Custom lengths and widths available in "Smartpack" quantities



CORNERS

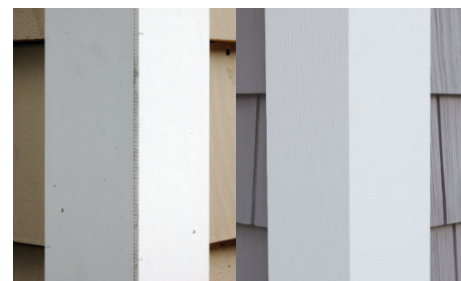
| Nominal | Actual | Finish | | | Timber Ridge | | Standard Corner |
|---------|---------------|--------|-----|-----|--------------|-----|-----------------|
| | | Smooth | 10' | 20' | 22' | 10' | |
| 1 x 6 | 3/4" x 5 1/2" | • | | | | | |
| 5/4 x 4 | 1" x 3 1/2" | • | • | • | • | • | |
| 5/4 x 6 | 1" x 5 1/2" | • | • | • | • | • | |
| 5/4 x 8 | 1" x 7 1/4" | • | | | | | |

- Stealth Corner not available in nominal 1 x 6
- Special 12' and 22' Corners available in "UNIT" quantities
- Custom widths up to 10" available in "UNIT" quantities
- 10' and 20' Corners available in "Smartpack" quantities

Stealth Hidden Fastener Corner

| Orientation | Actual | 20' Smooth |
|-------------|-----------------|------------|
| Inside | 1 1/8" x 1 1/2" | • |
| Outside | 1 1/8" x 3 1/2" | • |
| Outside | 1 1/8" x 5 1/2" | • |

Competition 2-piece corner VERSATEX 1-piece corner



All mouldings manufactured in 16' lengths except where noted.